

# SAGITTARIUS

## TAPS & SHOWERING

<b>Construction</b>	Brass Body, Zinc-alloy Handle
<b>Finishes</b>	Chrome plated to BS EN 248
<b>Product Type</b>	Contemporary
<b>Water Pressure Tested Between Standards</b>	Min. 0.2 bar, Max. 6.0 bar
<b>Certification</b>	Complies with BS6920, BS EN200
<b>Certification</b>	Manufactured to comply with WRAS
<b>Cartridge</b>	SEDAL 25mm Ceramic disc cartridge
<b>Aerator</b>	Neoperl Aerator
<b>Fitting</b>	UK: M10 x 350mm G½" BSP Female Flexi Tails EU: M10 x 350mm G3/8" BSP Female Flexi Tails
<b>Guarantee</b>	10 years against manufacturing faults (excluding serviceable parts)
<b>Additional Information</b>	Supplied with G1¼" sprung waste (UK only)

### BLADE MINI MONO BASIN MIXER BL/186



#### Operating Water Pressure



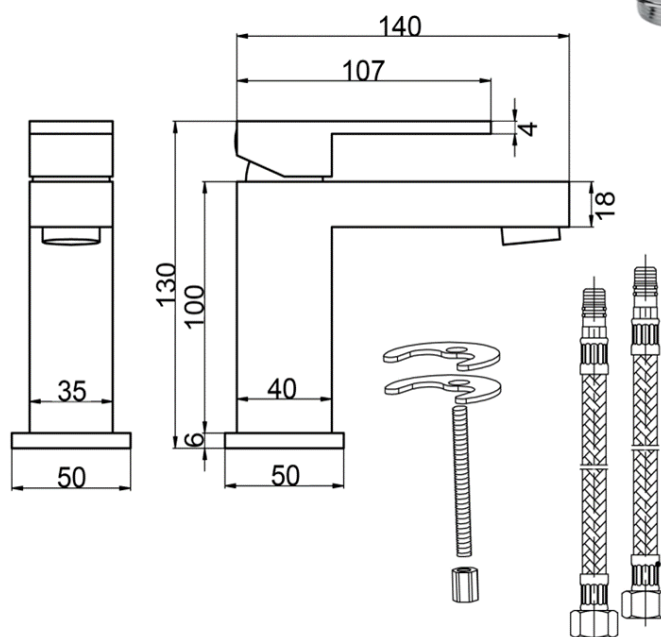
**LOW PRESSURE**  
0.2-0.5 bar



**COMBI BOILER**



**HIGH PRESSURE**  
1.2-1.5+ bar



The information contained on this page was correct at the date of issue. Fitting dimensions are provided as a guide only. Some variation may occur due to manufacturing tolerances. We pursue a policy of continuing improvement in design and performance of our products and so reserve the right to change specifications without prior notice

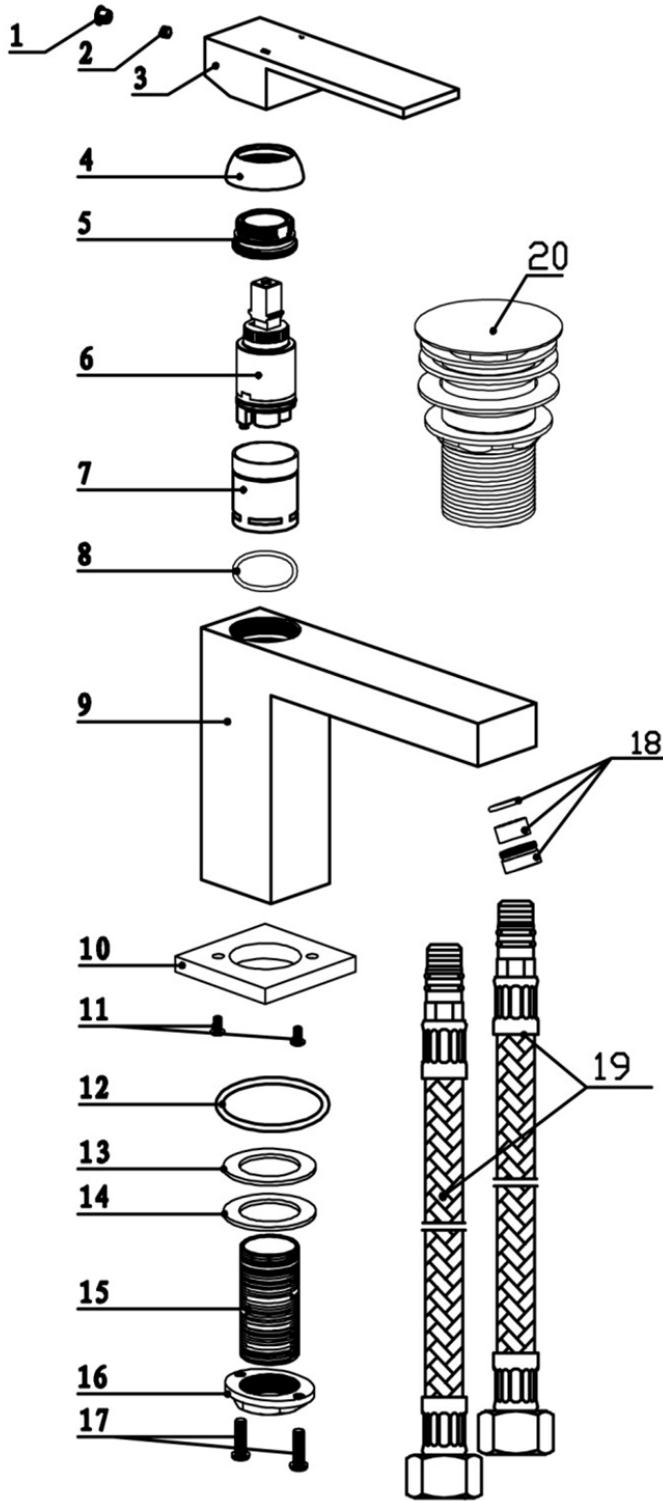
FOR FURTHER ADVICE PLEASE CONTACT :-

SAGITTARIUS LTD UNIT 1 LOWER VICTORIA STREET—CHADDERTON—OLDHAM—OL9 9TU TEL:0616 6202029

EMAIL:TECHNICAL@SAGITTARIUSTAPS.CO.UK

**Flow Rates** (Litres per minute)

System Pressure	0.1Bar	0.2Bar	0.3Bar	0.5Bar	1.0Bar	1.5Bar	2.0Bar	3.0Bar	4.0Bar	5.0Bar
	1.2	1.7	-	6.1	8.7	9.7	11.3	-	-	-



<b>20</b>	Push Button Waste
<b>19</b>	Flexi Tails
<b>18</b>	Aerator
<b>17</b>	Screw
<b>16</b>	Backnut
<b>15</b>	Tail
<b>14</b>	Rubber Seal
<b>13</b>	Rubber Seal
<b>12</b>	O Ring
<b>11</b>	Screw
<b>10</b>	Base Plate
<b>9</b>	Body
<b>8</b>	O Ring
<b>7</b>	Cartridge Cover
<b>6</b>	Cartridge
<b>5</b>	Brass Nut
<b>4</b>	Chrome Collar
<b>3</b>	Handle
<b>2</b>	Grub Screw
<b>1</b>	Cap
Index	Component

FOR FURTHER ADVICE PLEASE CONTACT :-

SAGITTARIUS LTD UNIT 1 LOWER VICTORIA STREET—CHADDERTON—OLDHAM—OL9 9TU TEL:0616 6202029

EMAIL:TECHNICAL@SAGITTARIUSTAPS.CO.UK