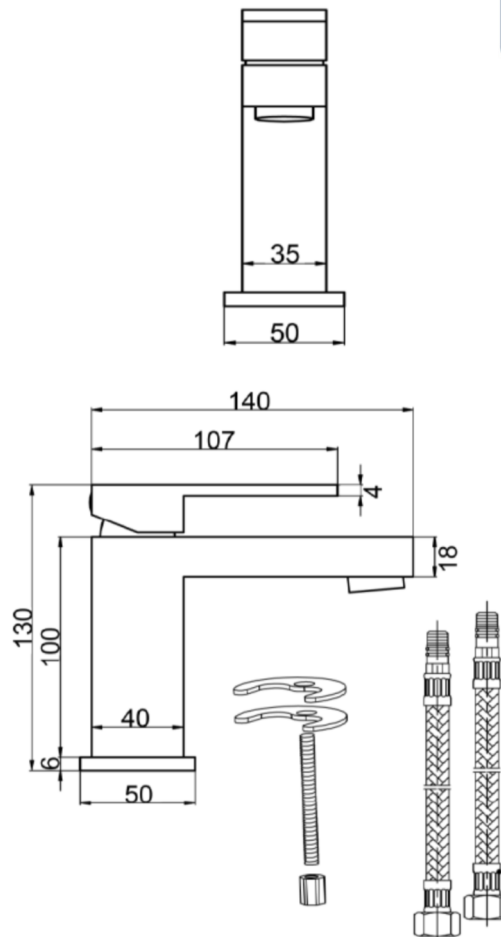


SAGITTARIUS

TAPS & SHOWERING

Construction	Brass Body CuZn40Pb2, EN CW617N (equivalent to BS CZ122)
Finishes	Chrome plated to BS EN 248
Product Type	Contemporary
Water Pressure	Min. 0.2 bar, Max. 6.0 bar
Plumbing Systems	Suitable for all plumbing systems
Standards	Complies with BS5412, BS EN200
Certification	Manufactured to comply with WRAS
Cartridge	25mm ceramic disc cartridge
Fitting	Neoperl Adjustable Slim Air
Packaging	M10 x 350mm ½" BSP Female Flexi Tails
Guarantee	46 x 28.5 x 34.5cm / carton (8 boxes / carton)
Additional Information	10 years against manufacturing faults (excluding serviceable parts). Supplied with G 1¼" sprung waste

**BLADE CLOAKROOM MONO
BASIN MIXER CHROME
BL/186/C**



Flow Rates (Litres per minute)

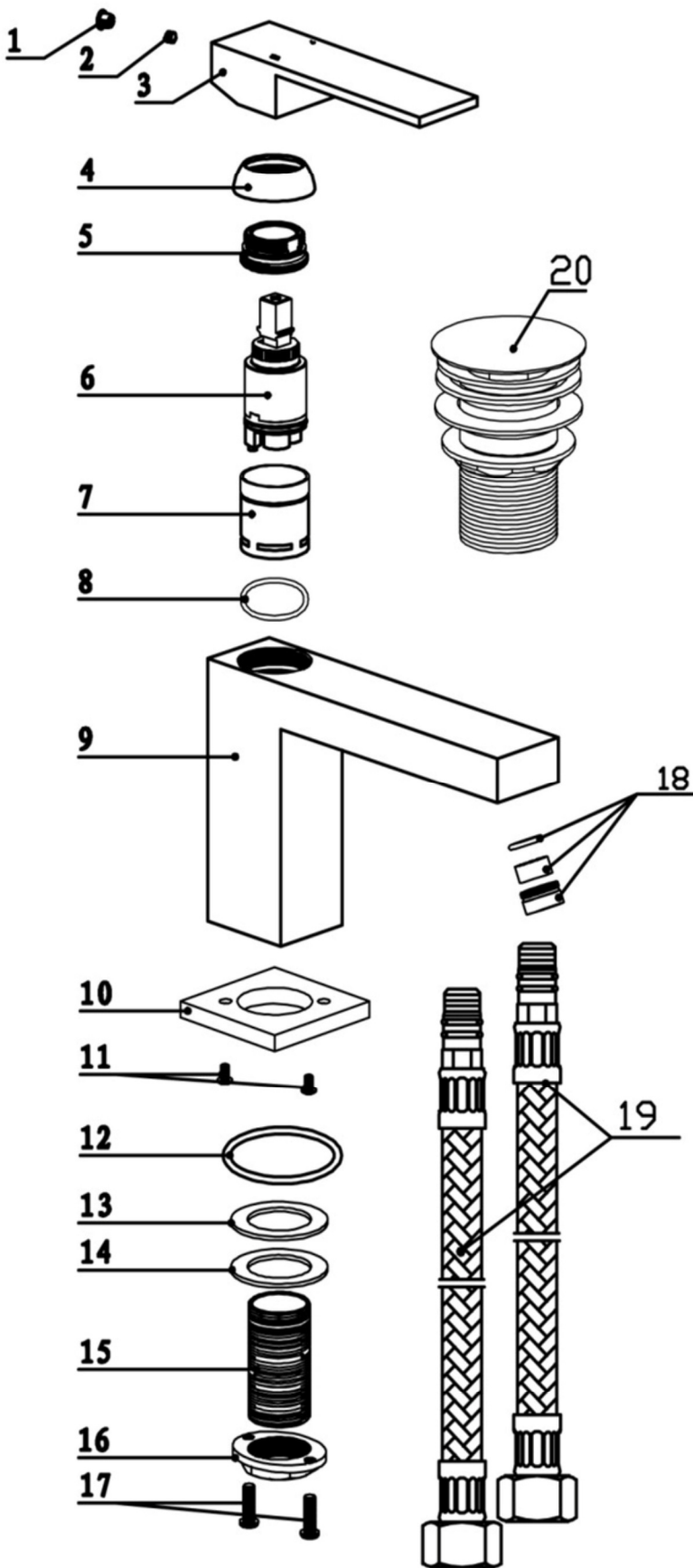
System Pressure	0.1 Bar	0.2 Bar	0.3 Bar	0.5 Bar	1.0 Bar	1.5 Bar	2.0 Bar	3.0 Bar	5.0 Bar
BL306	1.2	1.7	-	6.1	8.7	9.7	11.3	-	-

The information contained on this page was correct at the date of issue. Fitting dimensions are provided as a guide only. Some variation may occur due to manufacturing tolerances. We pursue a policy of continuing improvement in design and performance of our products and so reserve the right to change specifications without prior notice

FOR FURTHER ADVICE PLEASE CONTACT :-

SAGITTARIUS LTD UNIT 1 LOWER VICTORIA STREET—CHADDERTON—OLDHAM—OL9 9TU TEL:0616 6202029

EMAIL:TECHNICAL@SAGITTARIUSTAPS.CO.UK



20	Push Button Waste
19	Flexi Tails
18	Aerator
17	Screw
16	Backnut
15	Tail
14	Rubber Seal
13	Rubber Seal
12	O Ring
11	Screw
10	Base Plate
9	Body
8	O Ring
7	Cartridge Cover
6	Cartridge
5	Brass Nut
4	Chrome Collar
3	Handle
2	Grub Screw
1	Cap
Index	Component