

SAGITTARIUS

TAPS & SHOWERING

Construction	Brass Body, Zinc-alloy Handle
Finishes	Chrome plated to BS EN 248
Product Type	Contemporary
Water Pressure Tested	Min. 0.2 bar, Max. 6.0 bar
Standards	Complies with BS6920, BS EN200
Certification	WRAS (1710044) approved and certi-
Cartridge	35mm Ceramic disc cartridge
Fitting	M12 x 350mm G½" BSP Female Flexi
Aerator	Spout aerator
Guarantee	10 years against manufacturing faults
Additional Information	Supplied with G1¼" sprung waste (UK only)
Operating Water Pressure	

BLADE MONO BASIN MIX-ER BL/106



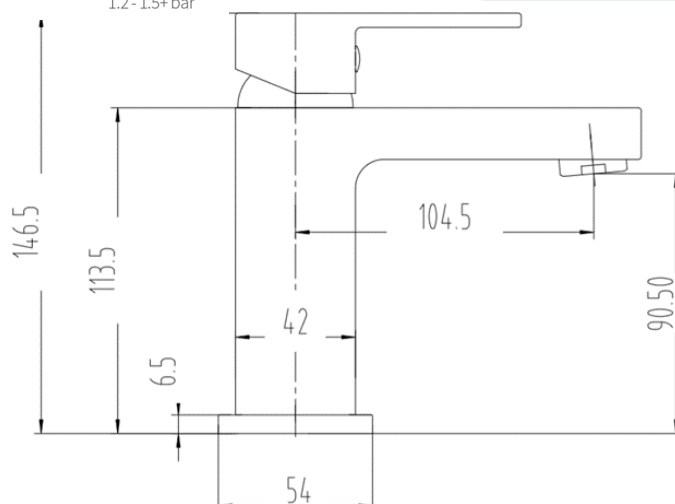
LOW PRESSURE
0.2 - 0.5 bar



COMBI BOILER



HIGH PRESSURE
1.2 - 1.5+ bar



The information contained on this page was correct at the date of issue. Fitting dimensions are provided as a guide only. Some variation may occur due to manufacturing tolerances. We pursue a policy of continuing improvement in design and performance of our products and so reserve the right to change specifications without prior notice

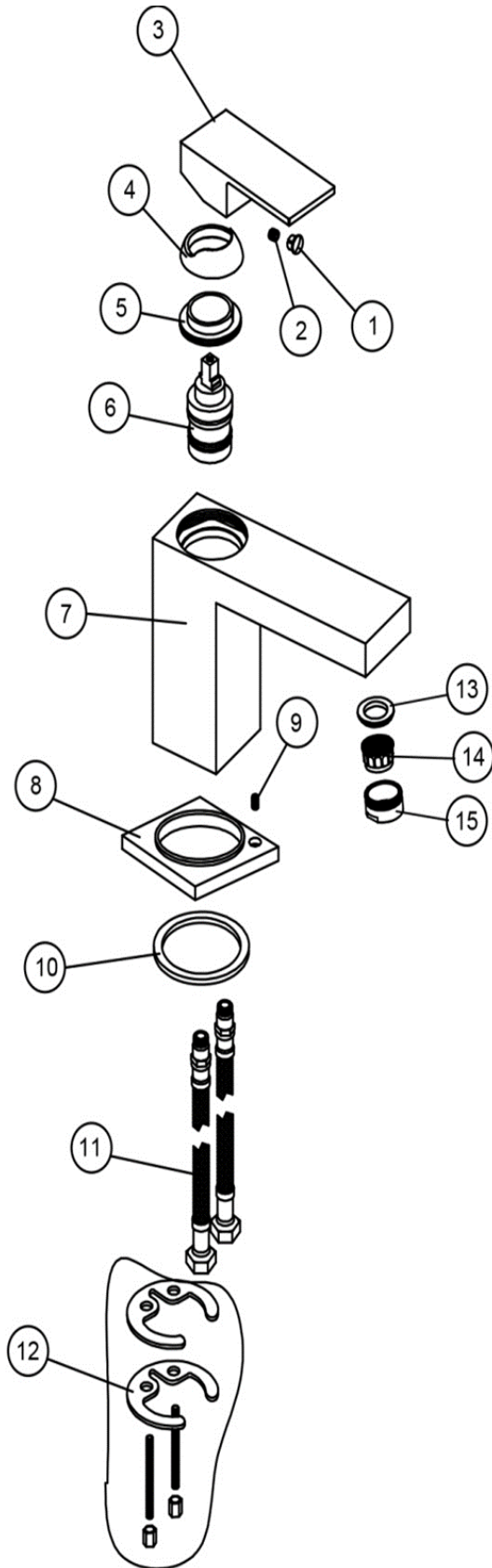
FOR FURTHER ADVICE PLEASE CONTACT :-

SAGITTARIUS LTD UNIT 1 LOWER VICTORIA STREET—CHADDERTON—OLDHAM—OL9 9TU TEL:0616 6202029

EMAIL:TECHNICAL@SAGITTARIUSTAPS.CO.UK

Flow Rates (Litres per minute)

System Pressure	0.1 Bar	0.2 Bar	0.3 Bar	0.5 Bar	1.0 Bar	1.5 Bar	2.0 Bar	3.0 Bar	4.0 Bar	5.0 Bar
	2.2	6.5	-	9.2	12.7	16.2	18.7	22.1	-	-



NO.	DESCRIPTION	QTY
1	INDICE	1
2	SCREW	1
3	HANDLE	1
4	PVC COVER	1
5	CARTRIDGE NUT	1
6	35 UP-SEAL CARTRIDGE	1
7	BODY	1
8	BASE PLATE	1
9	SCREW	1
10	WASHER	1
11	M12*1*400 FLEXI TAILS	1 PAIR
12	M6 FIXING KIT	1
13	WASHER	1
14	AERATOR	1
15	M24*1 NOZZLE	1

FOR FURTHER ADVICE PLEASE CONTACT :-

SAGITTARIUS LTD UNIT 1 LOWER VICTORIA STREET—CHADDERTON—OLDHAM—OL9 9TU TEL:0616 6202029

EMAIL:TECHNICAL@SAGITTARIUSTAPS.CO.UK