

SAGITTARIUS

TAPS & SHOWERING

BABY BARI BATH FILLER

BB/104

Construction	Brass Body, Zinc-alloy Handles & Base plates
Finishes	Chrome plated
Product Type	Contemporary
Water Pressure	Min. 0.2 bar, Max. 6.0 bar
Standards	Complies with BS5412, BS EN200
Cartridge	1/4 Turn 3/4" Ceramic disc valves
Aerator	M24*1 Spout aerator
Fitting	Brass G3/4" BSP tails
Guarantee	10 years against manufacturing faults (excluding serviceable parts which come with a Three year warranty)



Operating Water Pressure



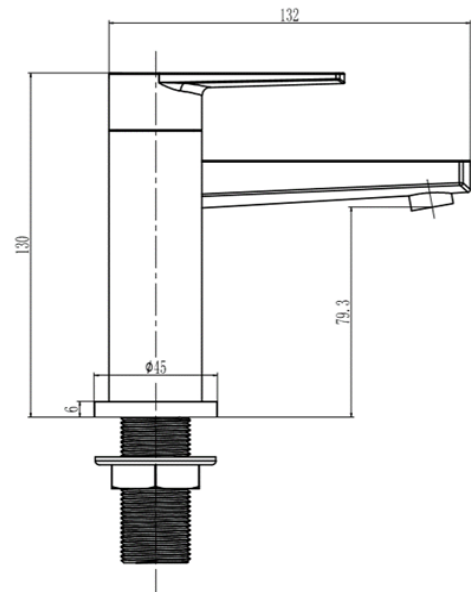
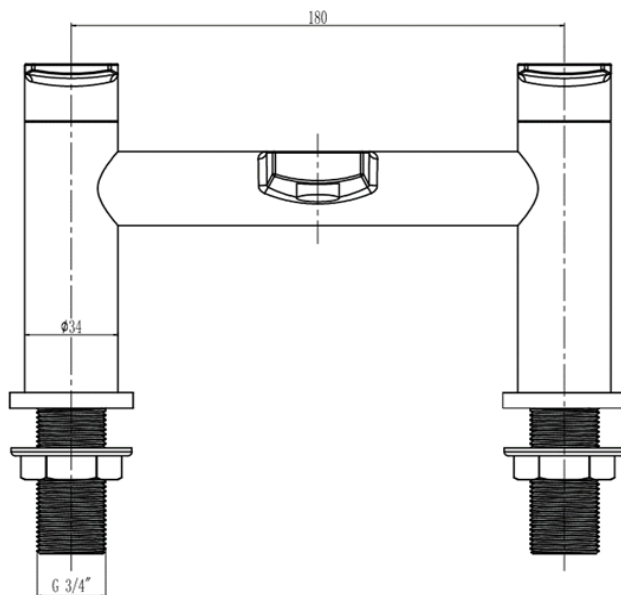
LOW PRESSURE
0.2-0.5 bar



COMBI BOILER



HIGH PRESSURE
1.2-1.5+ bar



The information contained on this page was correct at the date of issue. Fitting dimensions are provided as a guide only. Some variation may occur due to manufacturing tolerances. We pursue a policy of continuing improvement in design and performance of our products and so reserve the right to change specifications without prior notice

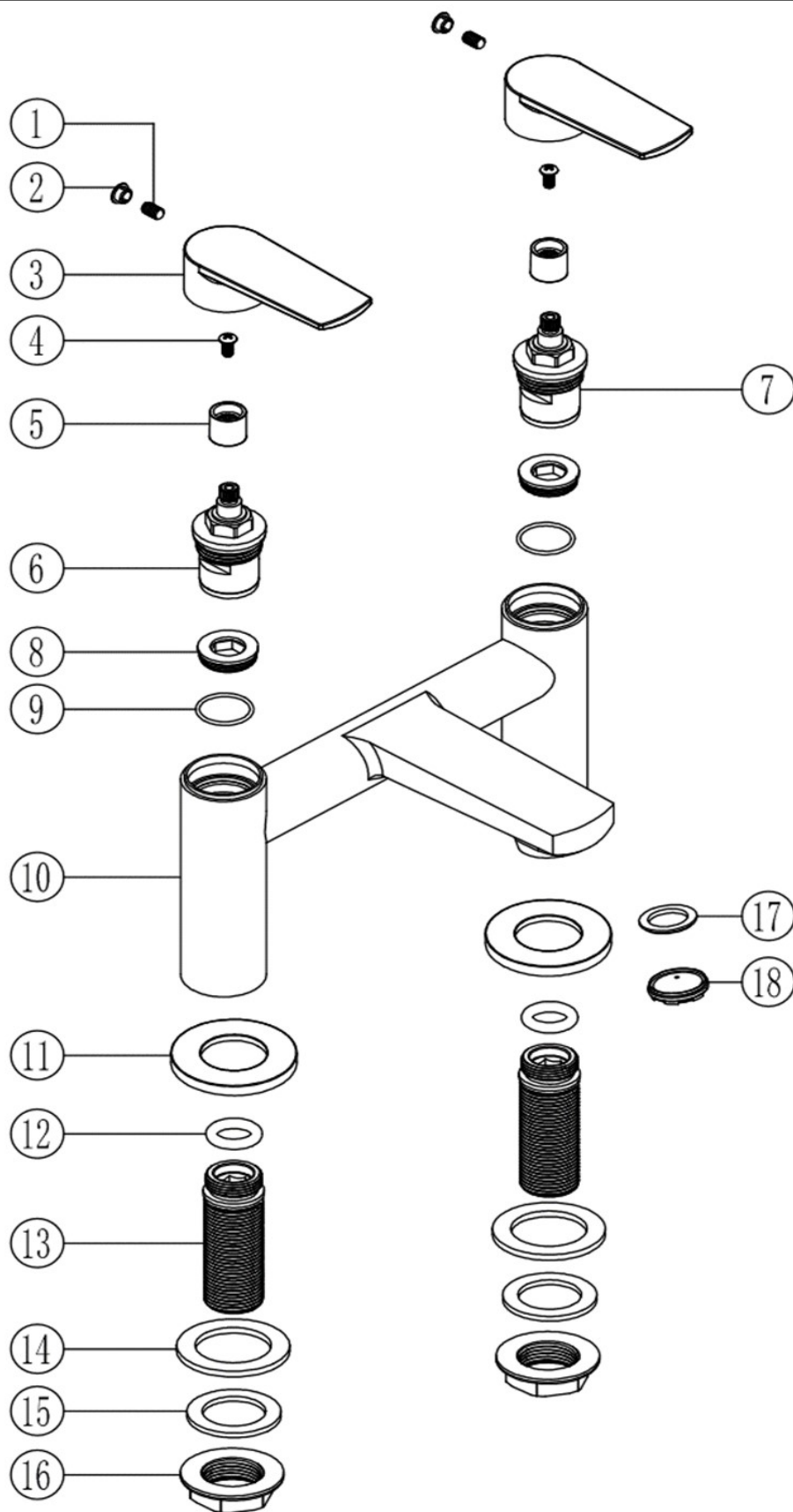
FOR FURTHER ADVICE PLEASE CONTACT :-

SAGITTARIUS LTD UNIT 1 LOWER VICTORIA STREET—CHADDERTON—OLDHAM—OL9 9TU TEL:0616 6202029

EMAIL:TECHNICAL@SAGITTARIUSTAPS.CO.UK

Flow Rates (Litres per minute)

System Pressure	0.1 Bar	0.2 Bar	0.3 Bar	0.5 Bar	1.0 Bar	1.5 Bar	2.0 Bar	3.0 Bar	4.0 Bar	5.0 Bar
	-	7.9	-	11.5	17.9	19.1	24.3	27.4	-	-



NO.	PARTS DESCRIPTION	QTY
1	S/STEEL HANDLE GRUB SCREW	2
2	CHROME COVER CAP	2
3	ZINC-ALLOY HANDLE	2
4	S/STEEL CROSS HEAD SCREW	2
5	NYLON CORE ADAPTOR	2
6	3/4" CERAMIC HOT CARTRIDGE	1
7	3/4" CERAMIC COLD CARTRIDGE	1
8	BRASS CARTRIDGE SEAT	2
9	NBR O-RING	2
10	BRASS TAP BODY	1
11	ZINC-ALLOY BASE PLATE	2
12	NBR O-RING	2
13	BRASS BSP TAIL	2
14	NBR WASHER	4
15	NBR WASHER	2
16	PLASTIC LOCK NUT	2
17	NBR AERATOR WASHER	1
18	24*1 PLASTIC AERATOR	1

FOR FURTHER ADVICE PLEASE CONTACT :-

SAGITTARIUS LTD UNIT 1 LOWER VICTORIA STREET—CHADDERTON—OLDHAM—OL9 9TU TEL:0616 6202029

EMAIL:TECHNICAL@SAGITTARIUSTAPS.CO.UK