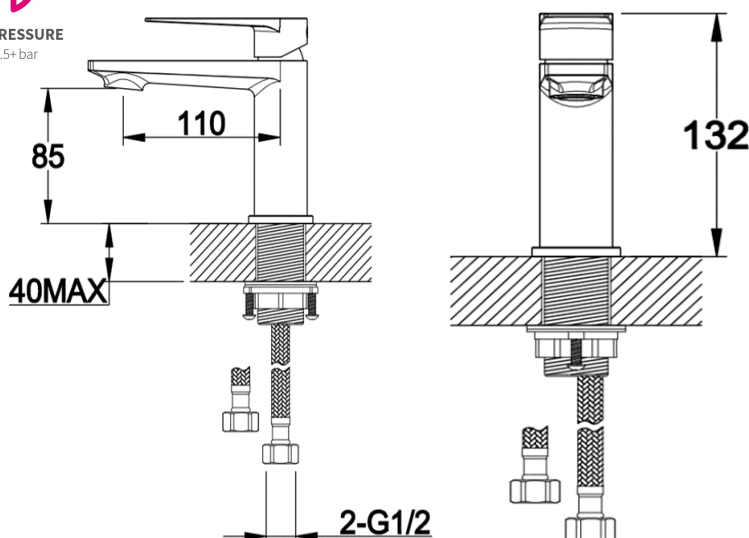


# SAGITTARIUS

## TAPS & SHOWERING

### BARI MINI BASIIN MONO MIXER BA/186

<b>Construction</b>	Brass Body, Zinc-alloy handle
<b>Finishes</b>	Chrome (Ni : 8-12um, Cr : 0.25-0.3um)
<b>Product Type</b>	Contemporary
<b>Water Pressure</b>	Min. 0.2 bar, Max. 6.0 bar
<b>Tested Between</b>	
<b>Standards</b>	Complies with BS6920, BS EN200
<b>Certification</b>	Manufactured to comply with ACS
<b>Cartridge</b>	WRAS approved Ceramic disc cartridge
<b>Aerator</b>	Neoperl spout aerator
<b>Fitting</b>	UK: M10 x 350mm G½" BSP Female Flexi Tails EU: M10 x 350mm G3/8" BSP Female Flexi Tails
<b>Guarantee</b>	10 years against manufacturing faults (excluding serviceable parts)
<b>Additional Information</b>	Supplied with G1¼" sprung waste (UK only)
<b>Operating Water Pressure</b>	



The information contained on this page was correct at the date of issue. Fitting dimensions are provided as a guide only. Some variation may occur due to manufacturing tolerances. We pursue a policy of continuing improvement in design and performance of our products and so reserve the right to change specifications without prior notice

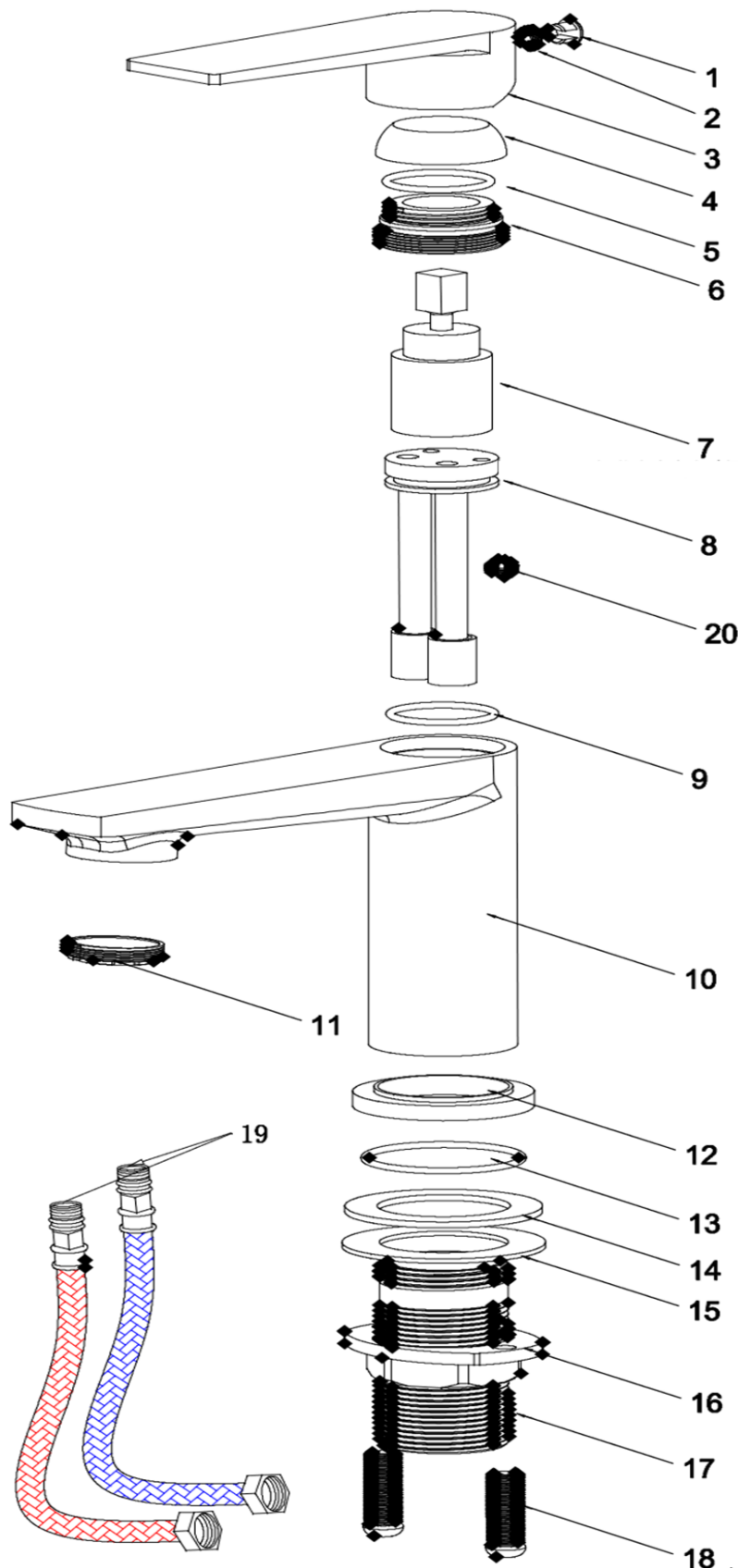
FOR FURTHER ADVICE PLEASE CONTACT :-

SAGITTARIUS LTD UNIT 1 LOWER VICTORIA STREET—CHADDERTON—OLDHAM—OL9 9TU TEL:0616 6202029

EMAIL:TECHNICAL@SAGITTARIUSTAPS.CO.UK

**Flow Rates** (Litres per minute)

System Pressure	0.1 Bar	0.2 Bar	0.3 Bar	0.5 Bar	1.0 Bar	1.5 Bar	2.0 Bar	3.0 Bar	4.0 Bar	5.0 Bar
	1.5	2.8	-	4.9	7.5	-	11.0	13.2	-	-



20	SCREW	1
19	FLEXT TAIL	2
18	SCREW	2
17	BSP TAIL	1
16	BACK NUT	1
15	WASHER	1
14	RUBBER GASKET	1
13	O-RING	1
12	BASE PLATE	1
11	AERATOR	1
10	TAP BODY	1
9	O-RING	1
8	PVC BLOCK	1
7	CARTRIDGE	1
6	LOCK NUT	1
5	O-RING	1
4	COVER	1
3	HANDLE	1
2	SCREW	1
1	COVER CAP	1
No.	DESCRIPTION	QTY

FOR FURTHER ADVICE PLEASE CONTACT :-

SAGITTARIUS LTD UNIT 1 LOWER VICTORIA STREET—CHADDERTON—OLDHAM—OL9 9TU TEL:0616 6202029

EMAIL:TECHNICAL@SAGITTARIUSTAPS.CO.UK