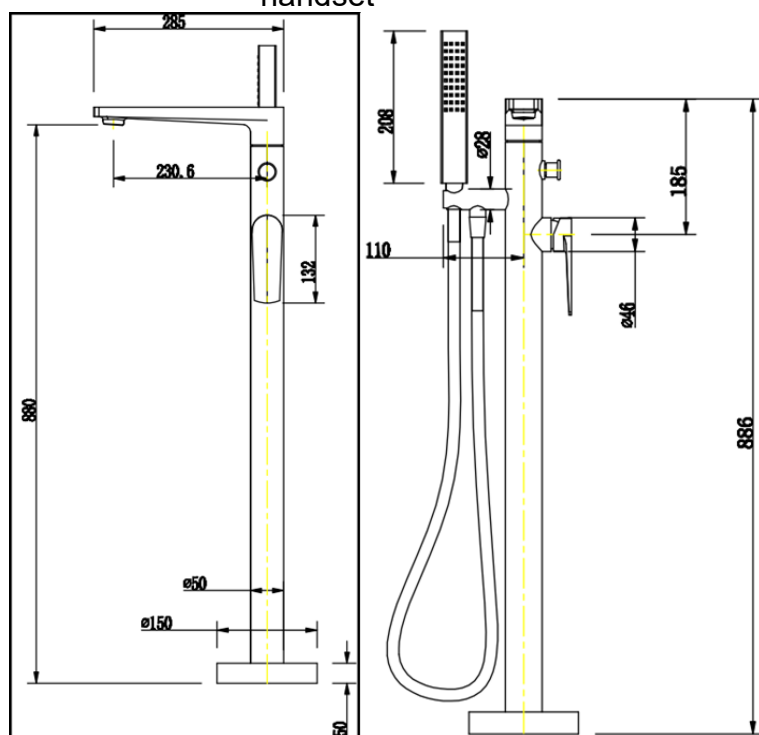


SAGITTARIUS

TAPS & SHOWERING

BARI FLOOR MOUNTED BATH SHOWER MIXER BA/174/C

Construction	Brass Body (HPb59-1), equivalent to BS CZ122 / EN CW617N / CuZn40Pb2; SS201 Stainless steel Stand pipe & Base plate; Zinc-alloy Handle Chrome plated to BS EN 248
Finishes	Contemporary
Product Type	Min. 1.0 bar, Max. 6.0 bar
Water Pressure Tested Between	Complies with BS5412, BS EN200
Standards	Manufactured to comply with WRAS
Certification	35mm SEDAL Ceramic disc cartridge
Cartridge	M24*1 NEOPERL adjustable aerator M10x1*G3/4" BSP Female Flexible inlet connection hoses, 250mm
Aerator Fitting	10 years against manufacturing faults (excluding serviceable parts)
Guarantee	Supplied with Chrome smooth PVC 1.5m hose and single mode ABS handset
Additional Information	



The information contained on this page was correct at the date of issue. Fitting dimensions are provided as a guide only. Some variation may occur due to manufacturing tolerances. We pursue a policy of continuing improvement in design and performance of our products and so reserve the right to change specifications without prior notice

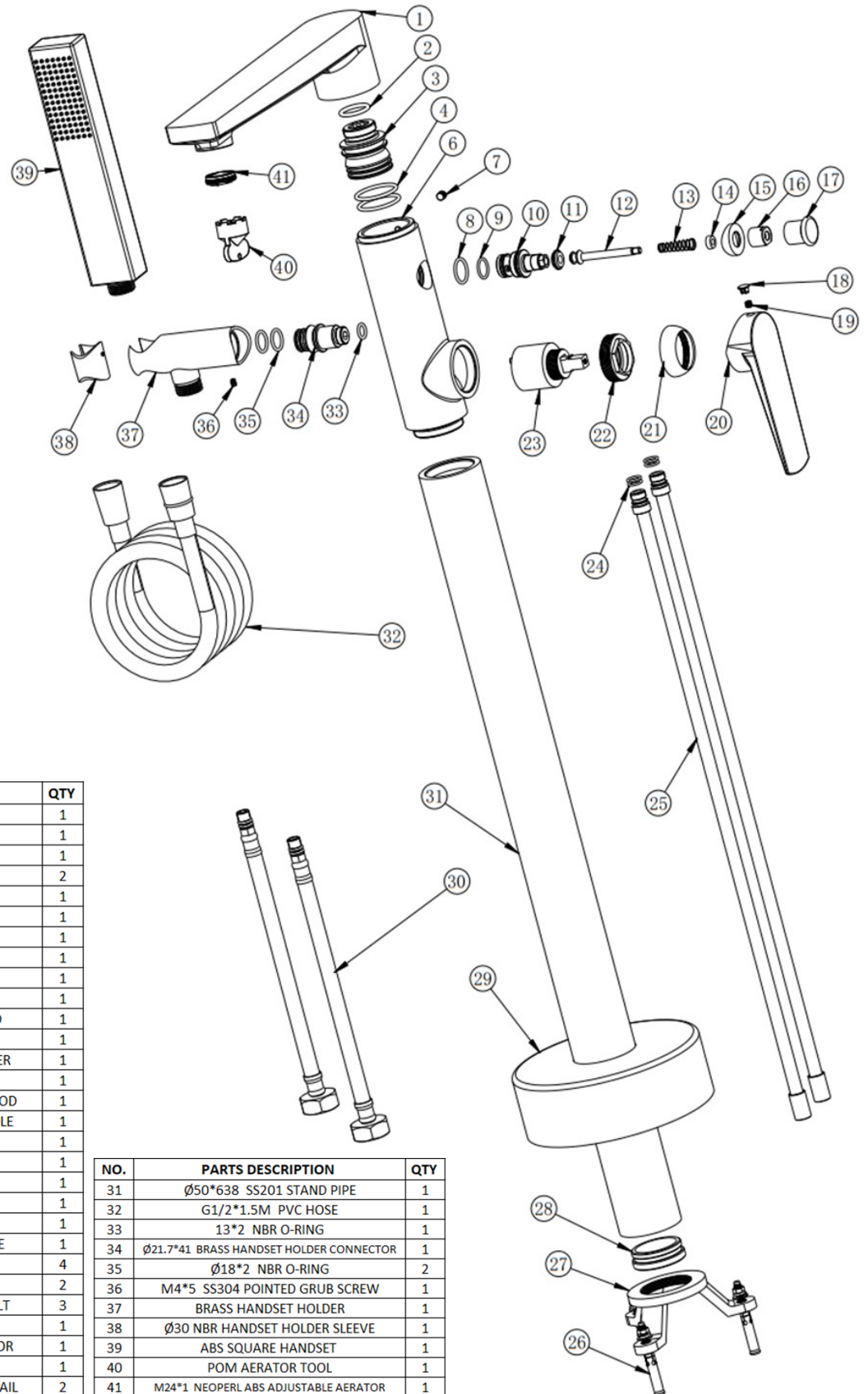
FOR FURTHER ADVICE PLEASE CONTACT :-

SAGITTARIUS LTD UNIT 1 LOWER VICTORIA STREET—CHADDERTON—OLDHAM—OL9 9TU TEL:0616 6202029

EMAIL:TECHNICAL@SAGITTARIUSTAPS.CO.UK

Flow Rates (Litres per minute)

System Pressure	0.1 Bar	0.2 Bar	0.3 Bar	0.5 Bar	1.0 Bar	1.5 Bar	2.0 Bar	3.0 Bar	4.0 Bar	5.0 Bar
(Spout)	2.8	4.3	5.4	7.2	13.0	16.2	18.9	23.4	27.3	30.5
(Handset)	-	-	-	3.9	5.8	7.4	8.7	11.0	12.8	14.2



NO.	PARTS DESCRIPTION	QTY
1	BRASS SPOUT	1
2	Ø25*3 NBR O-RING	1
3	BRASS SPOUT CONNECTOR	1
4	Ø25*2.5 NBR O-RING	2
6	BRASS TAP BODY	1
7	M6*7 S/STEEL GRUB SCREW	1
8	Ø21*2 NBR O-RING	1
9	Ø17*1.7 NBR O-RING	1
10	BRASS DIVERTER BODY	1
11	Ø16*6*4.5 NBR DIVERTER DISC	1
12	Ø10.7*62 BRASS DIVERTER ROD	1
13	SS201 DIVERTER SPRING	1
14	10.5*5*3.3 NBR V-SHAPE WASHER	1
15	Ø25*7 BRAS DIVERTER CAP	1
16	Ø15*13 BRASS DIVERTER GUIDE ROD	1
17	Ø23.5*20 BRASS DIVERTER HANDLE	1
18	BRASS COVER CAP	1
19	M5*5 BRASS GRUB SCREW	1
20	ZINC-ALLOY HANDLE	1
21	35 BRASS HANDLE COLLAR	1
22	35 BRASS CARTRIDGE NUT	1
23	35mm CERAMIC DISC CARTRIDGE	1
24	12*1.5 NBR WASHER	4
25	Ø14*526.7 WELDED INLET PIPE	2
26	M6*60 EXPANSION ANCHOR BOLT	3
27	BRASS TAP BODY	1
28	BRASS FLOOR ANCHOR CONNECTOR	1
29	Ø150*50 SS201 BASE PLATE	1
30	M10*1*G3/4*250 S/STEEL FLEXITAIL	2

NO.	PARTS DESCRIPTION	QTY
31	Ø50*638 SS201 STAND PIPE	1
32	G1/2*1.5M PVC HOSE	1
33	13*2 NBR O-RING	1
34	Ø21.7*41 BRASS HANDSET HOLDER CONNECTOR	1
35	Ø18*2 NBR O-RING	2
36	M4*5 SS304 POINTED GRUB SCREW	1
37	BRASS HANDSET HOLDER	1
38	Ø30 NBR HANDSET HOLDER SLEEVE	1
39	ABS SQUARE HANDSET	1
40	POM AERATOR TOOL	1
41	M24*1 NEOPERL ABS ADJUSTABLE AERATOR	1

FOR FURTHER ADVICE PLEASE CONTACT :-

SAGITTARIUS LTD UNIT 1 LOWER VICTORIA STREET—CHADDERTON—OLDHAM—OL9 9TU TEL:0616 6202029

EMAIL:TECHNICAL@SAGITTARIUSTAPS.CO.UK