

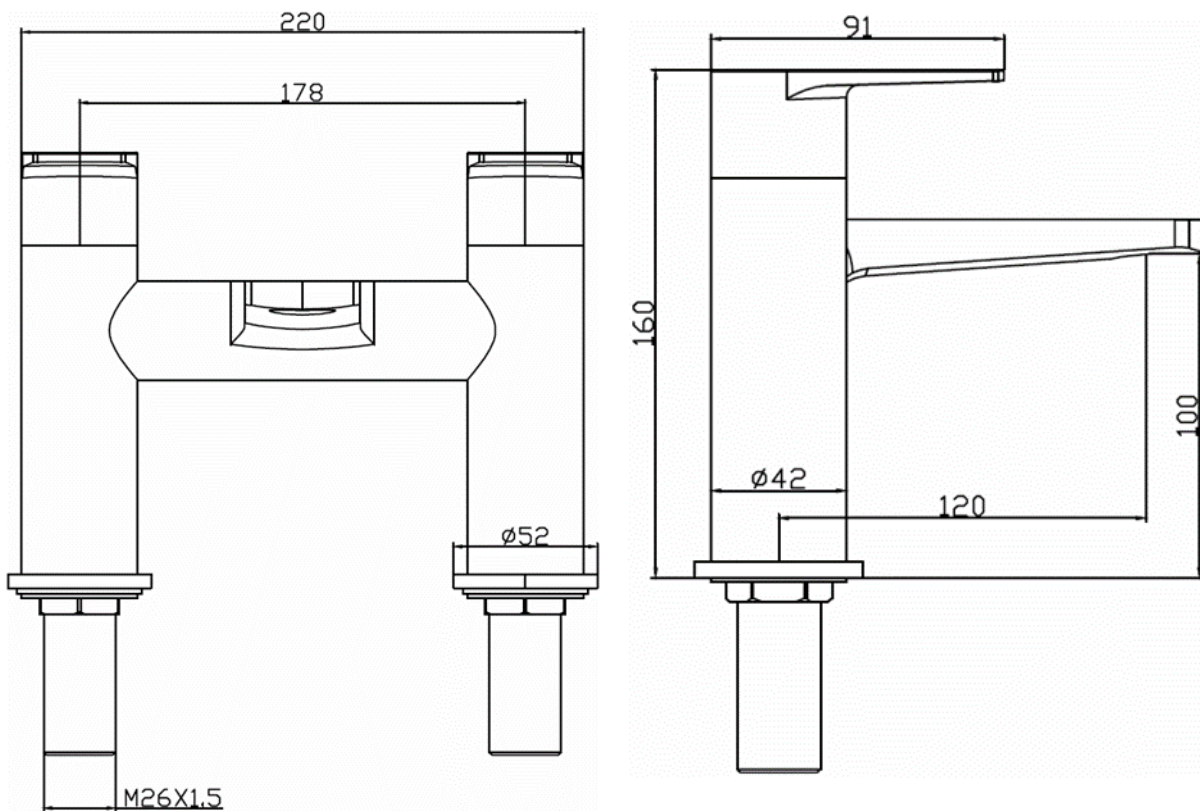
SAGITTARIUS

TAPS & SHOWERING

Construction	Brass Body, Zinc-alloy handle
Finishes	Chrome (Ni : 8-12um, Cr : 0.25-0.3um)
Product Type	Contemporary
Water Pressure Tested Between	Min. 0.2 bar, Max. 5.0 bar
Standards Certification	Complies with BS5412, BS EN200 WRAS (1709044) approved and certified
Cartridge	1/4 Turn 1/2" Ceramic Disc Valves
Spout	Neoperl spout aerator
Fitting	Brass G3/4" BSP Tails
Guarantee	10 years against manufacturing faults (excluding serviceable parts which come with a Three year warranty)

BARI BATH FILLER

BA/104



The information contained on this page was correct at the date of issue. Fitting dimensions are provided as a guide only. Some variation may occur due to manufacturing tolerances. We pursue a policy of continuing improvement in design and performance of our products and so reserve the right to change specifications without prior notice

FOR FURTHER ADVICE PLEASE CONTACT :-

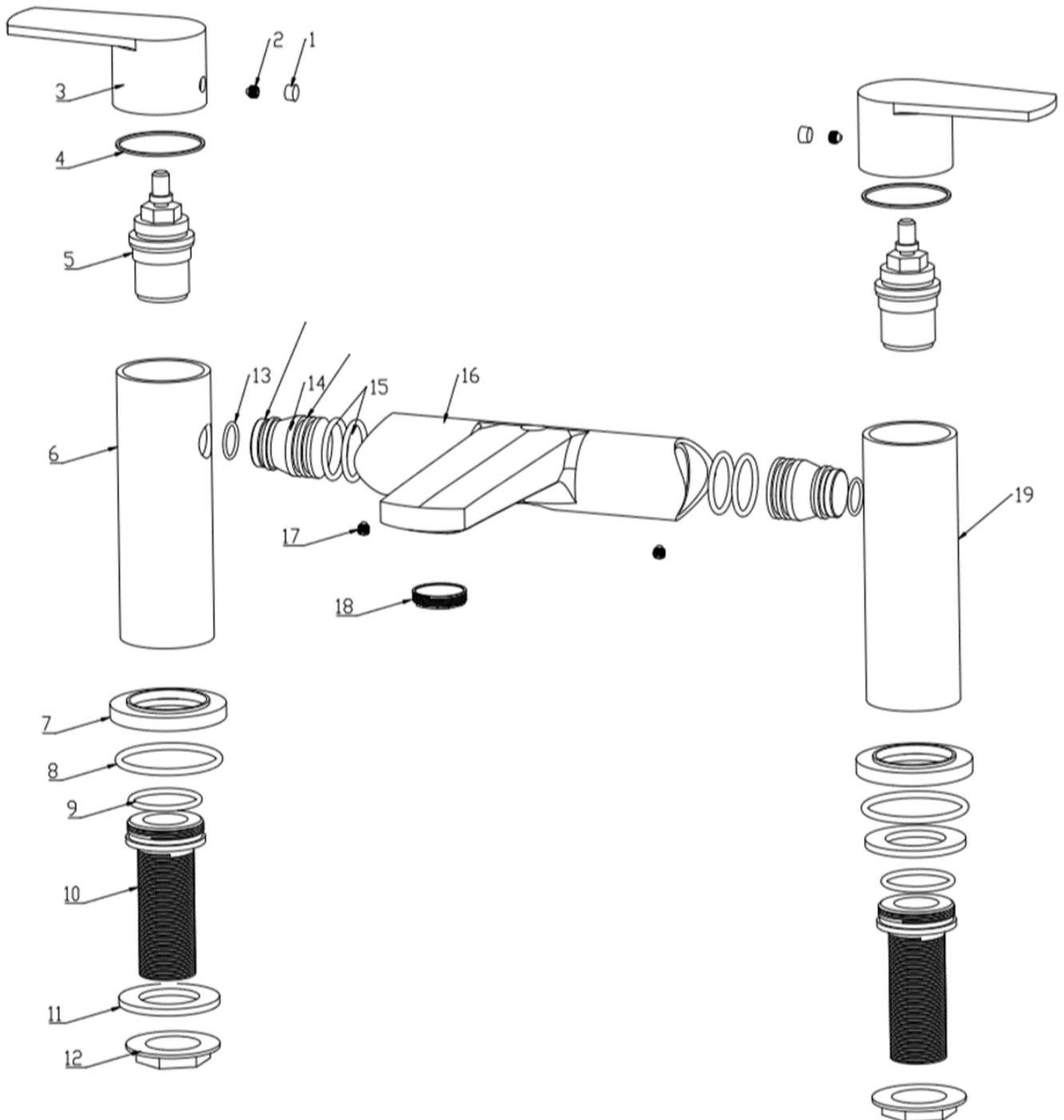
SAGITTARIUS LTD UNIT 1 LOWER VICTORIA STREET—CHADDERTON—OLDHAM—OL9 9TU TEL:0616 6202029

EMAIL:TECHNICAL@SAGITTARIUSTAPS.CO.UK

Flow Rates (Litres per minute)

System Pressure	0.1 Bar	0.2 Bar	0.3 Bar	0.5 Bar	1.0 Bar	1.5 Bar	2.0 Bar	3.0 Bar	4.0 Bar	5.0 Bar
	3.0	5.0	-	10.1	15.2	-	21.3	26.4	-	-

No.	DESCRIPTION	QTY	No.	DESCRIPTION	QTY
10	BSP TAIL	2			
9	O-RING	2	19	RIGHT PILLAR	1
8	O-RING	2	18	AERATOR	1
7	BASE PLATE	2	17	SCREW	2
6	LEFT PILLAR	1	16	TAP BODY	1
5	CARTRIDGE	2	15	O-RING	4
4	RUBBER GASKET	2	14	CONNECTOR	2
3	HANDLE	2	13	O-RING	2
2	SCREW	2	12	LOCK NUT	2
1	COVER	2	11	WASHER	2



FOR FURTHER ADVICE PLEASE CONTACT :-

SAGITTARIUS LTD UNIT 1 LOWER VICTORIA STREET—CHADDERTON—OLDHAM—OL9 9TU TEL:0616 6202029

EMAIL:TECHNICAL@SAGITTARIUSTAPS.CO.UK