

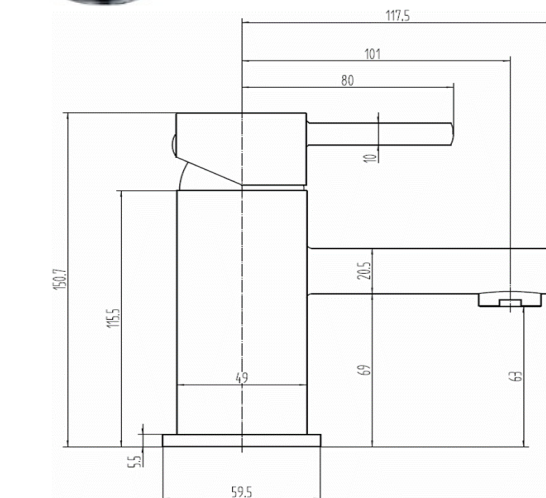
# SAGITTARIUS

## TAPS & SHOWERING

<b>Construction</b>	Brass Body, Zinc-alloy Handle & Base plate
<b>Finishes</b>	Chrome plated
<b>Product Type</b>	Contemporary
<b>Water Pressure</b>	Min. 0.2 bar, Max. 6.0 bar
<b>Tested Between Standards</b>	Complies with BS6920, BS EN200
<b>Certification</b>	WRAS (1710044) approved and certified
<b>Cartridge</b>	40mm Ceramic disc cartridge
<b>Net Weight (Tap only)</b>	1014g
<b>Fitting</b>	UK: M10 x 400mm G½" BSP Female Flexi Tails (4.5mm bore) EU: M10 x 350mm G3/8" BSP Female Flexi Tails
<b>Aerator</b>	Spout aerator
<b>Guarantee</b>	10 years against manufacturing faults (excluding serviceable parts which would come with a Three year warranty)
<b>Additional Information</b>	Supplied with G1¼" sprung waste (UK only)
<b>Operating Water Pressure</b>	



### AXIS MONOBLOC BASIN MIXER AX/106

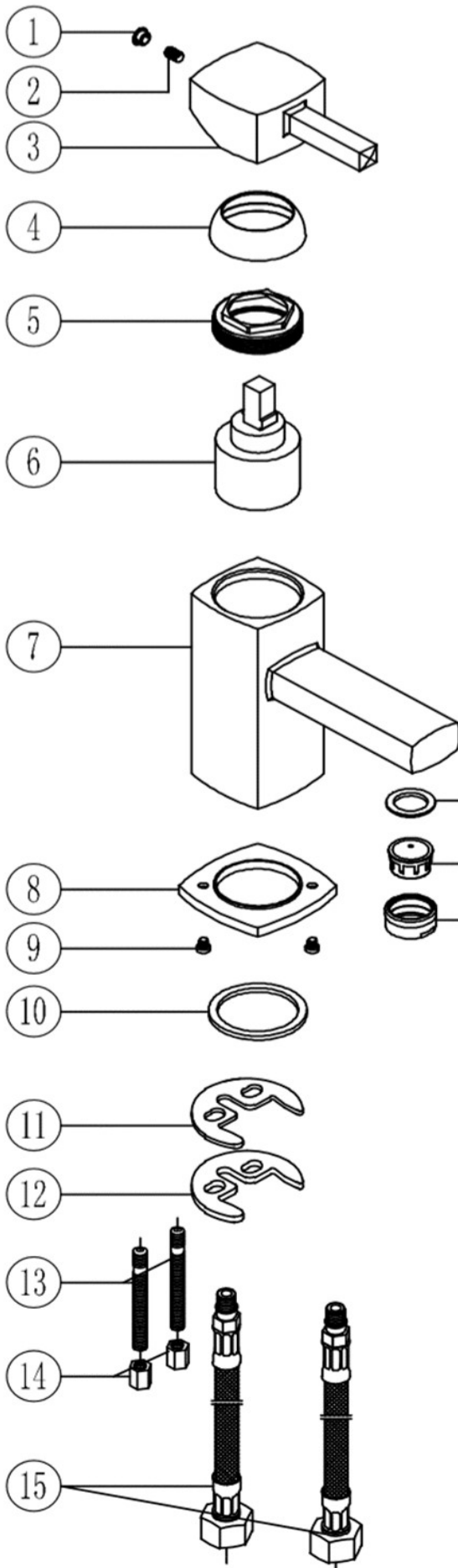


The information contained on this page was correct at the date of issue. Fitting dimensions are provided as a guide only. Some variation may occur due to manufacturing tolerances. We pursue a policy of continuing improvement in design and performance of our products and so reserve the right to change specifications without prior notice

FOR FURTHER ADVICE PLEASE CONTACT :-

SAGITTARIUS LTD UNIT 1 LOWER VICTORIA STREET—CHADDERTON—OLDHAM—OL9 9TU TEL:0616 6202029

EMAIL:TECHNICAL@SAGITTARIUSTAPS.CO.UK



NO.	PARTS DESCRIPTION	QTY
1	PLASTIC COVER CAP	1
2	5*6 S/STEEL GRUB SCREW	1
3	ZINC-ALLOY HANDLE	1
4	PLASTIC HANDLE COLLAR	1
5	S/STEEL CARTRIDGE NUT	1
6	40mm CERAMIC DISC CARTRIDGE	1
7	BRASS TAP BODY	1
8	ZINC-ALLOY BASE PLATE	1
9	4*6 S/STEEL SCREW	2
10	Ø46*38*2.5 NBR WASHER	1
11	Ø47*2 RUBBER WASHER	1
12	Ø47*3 STEEL FIXING PLATE	1
13	M6x70 STEEL FIXING ROD	2
14	SW8*10 BRASS NUT	1
15	10*1*1/2*400 S/S FLEXI-TAILS	1
16	23*16*2 NBR AERATOR WASHER	1
17	24*1 PLASTIC AERATOR	1
18	24*1 BRASS AERATOR CASING	1
19	G1-1/4 BSP SPRUNG WASTE	1

