

SAGITTARIUS

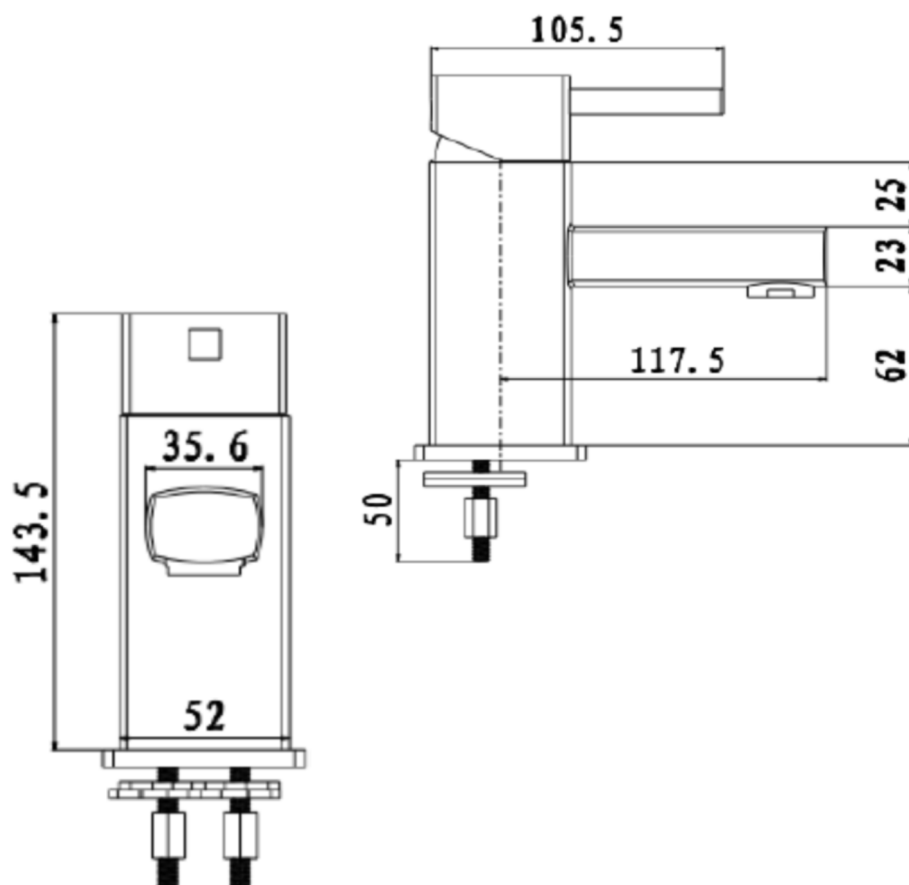
TAPS & SHOWERING

Construction	Brass Body (CuZn40Pb18)
Finishes	Chrome plated to BS EN 248
Product Type	Contemporary
Water Pressure	Min. 0.2 bar, Max. 6.0 bar
Plumbing Systems	Suitable for all plumbing systems
Standards	Complies with BS5412, BS EN200
Certification	Manufactured to comply with WRAS
Fitting	Flexi tail pipe

AXIS MONOBLOC BASIN

MIXER CHROME

AX/106/C



Flow Rates (Litres per minute)

Bar	0.1	0.2	0.3	0.4	0.5	1	1.5	2	2.5	3	4	5
AX106	8.2	11.2	14	16.48	18	25.46	31.18	36		44.09	50.91	56.92

The information contained on this page was correct at the date of issue. Fitting dimensions are provided as a guide only. Some variation may occur due to manufacturing tolerances. We pursue a policy of continuing improvement in design and performance of our products and so reserve the right to change specifications without prior notice

FOR FURTHER ADVICE PLEASE CONTACT :-

SAGITTARIUS LTD UNIT 1 LOWER VICTORIA STREET—CHADDERTON—OLDHAM—OL9 9TU TEL:0616 6202029

EMAIL:TECHNICAL@SAGITTARIUSTAPS.CO.UK