

# SAGITTARIUS

## TAPS & SHOWERING

### AXIS BATH TAPS

#### AX/102

<b>Construction</b>	Brass Body, Zinc-alloy Handles
<b>Finishes</b>	Chrome plated to BS EN 248
<b>Product Type</b>	Contemporary
<b>Water Pressure</b>	Min. 0.2 bar, Max. 6.0 bar
<b>Tested Between</b>	
<b>Standards</b>	Complies with BS5412, BS EN200
<b>Cartridge</b>	1/4 Turn 3/4" Ceramic disc valves
<b>Aerator</b>	Laminar flow straightener
<b>Fitting</b>	Brass G3/4" BSP tails
<b>Guarantee</b>	10 years against manufacturing faults (excluding serviceable parts come with a Three year warranty)



#### Operating Water Pressure



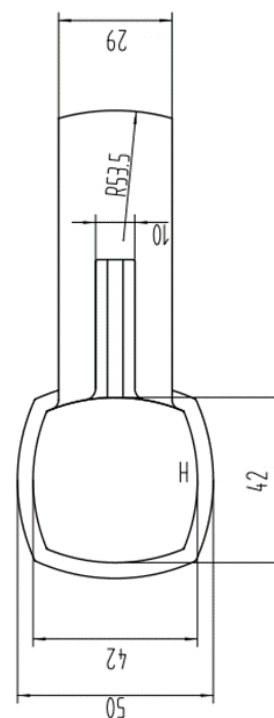
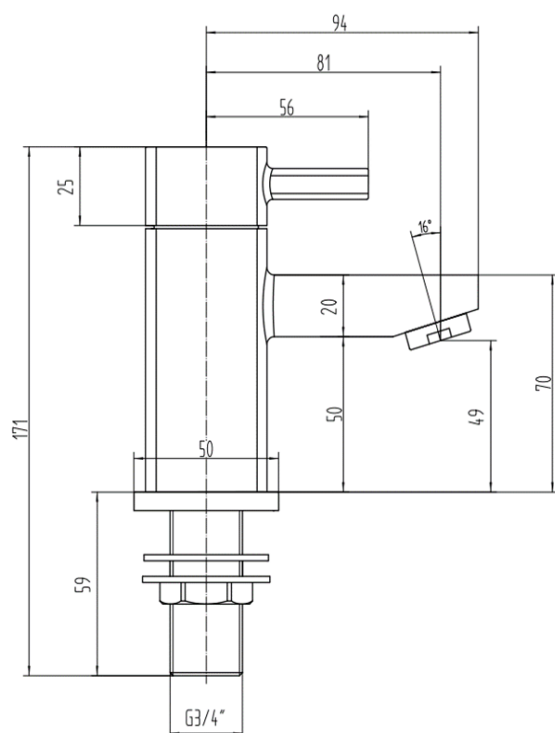
**LOW PRESSURE**  
0.2 - 0.5 bar



**COMBI BOILER**



**HIGH PRESSURE**  
1.2 - 1.5+ bar



The information contained on this page was correct at the date of issue. Fitting dimensions are provided as a guide only. Some variation may occur due to manufacturing tolerances. We pursue a policy of continuing improvement in design and performance of our products and so reserve the right to change specifications without prior notice

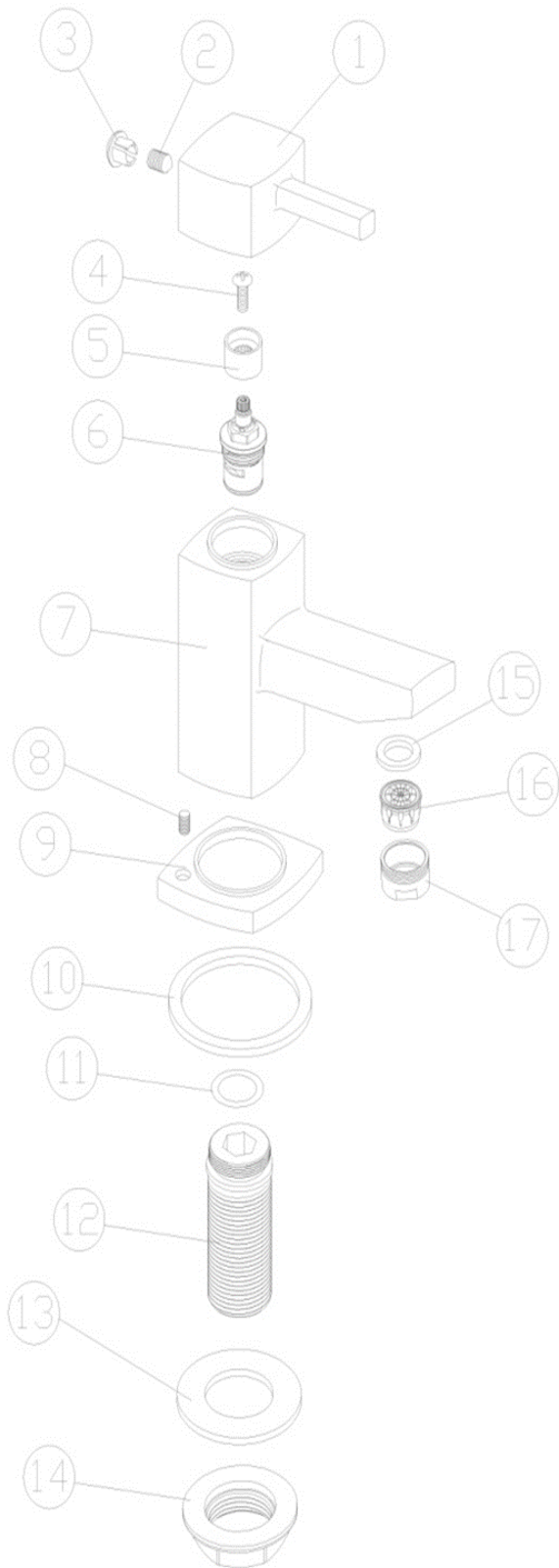
FOR FURTHER ADVICE PLEASE CONTACT :-

SAGITTARIUS LTD UNIT 1 LOWER VICTORIA STREET—CHADDERTON—OLDHAM—OL9 9TU TEL:0616 6202029

EMAIL:TECHNICAL@SAGITTARIUSTAPS.CO.UK

**Flow Rates** (Litres per minute)

System Pressure	0.1 Bar	0.2 Bar	0.3 Bar	0.5 Bar	1.0 Bar	1.5 Bar	2.0 Bar	3.0 Bar	4.0 Bar	5.0 Bar
	4.5	7.5	-	12.9	18.8	22.8	26.7	31.6	-	-



## Bath Taps

NO.	DESCRIPTION	QTY
1	HANDLE	2
2	SCREW	2
3	HANDLE COVER	2
4	SCREW	2
5	PLASTIC CORE	2
6	G3/4" CARTRIDGE	1 PAIR
7	G3/4" TAP BODY	2
8	SCREW	2
9	BASE PLATE	2
10	WASHER	2
11	"O" RING	2
12	G3/4" INLET	2
13	WASHER	2
14	BACK NUT	2
15	WASHER	2
16	AERATOR	2
17	M24*1 NOZZLE	2

FOR FURTHER ADVICE PLEASE CONTACT :-

SAGITTARIUS LTD UNIT 1 LOWER VICTORIA STREET—CHADDERTON—OLDHAM—OL9 9TU TEL:0616 6202029

EMAIL:TECHNICAL@SAGITTARIUSTAPS.CO.UK