

SAGITTARIUS

TAPS & SHOWERING

AXIS BASIN TAPS

AX/101

Construction	Brass Body, Zinc-alloy Handles
Finishes	Chrome plated
Product Type	Contemporary
Water Pressure	Min. 0.2 bar, Max. 6.0 bar
Plumbing Systems	Suitable for all plumbing systems, Hot and Cold water pressure preferably balanced Max. supply pressure differential re-
Standards	Complies with BS5412, BS EN200
Cartridge	1/4 Turn 1/2" Ceramic disc valves
Net Weight (Tap)	1137g
Aerator	Laminar flow straightener
Fitting	Brass G1/2" BSP tails 10 years against manufacturing faults (excluding serviceable parts which

Guarantee

Operating Water Pressure



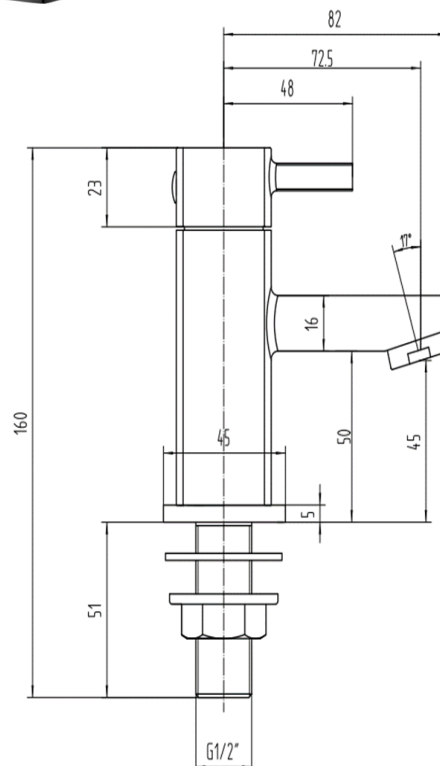
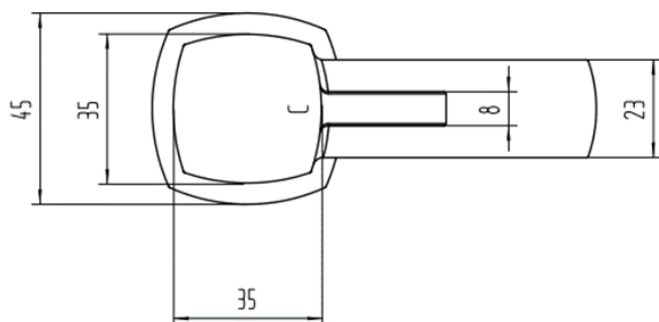
LOW PRESSURE
0.2-0.5 bar



COMBI BOILER



HIGH PRESSURE
1.2-1.5+ bar



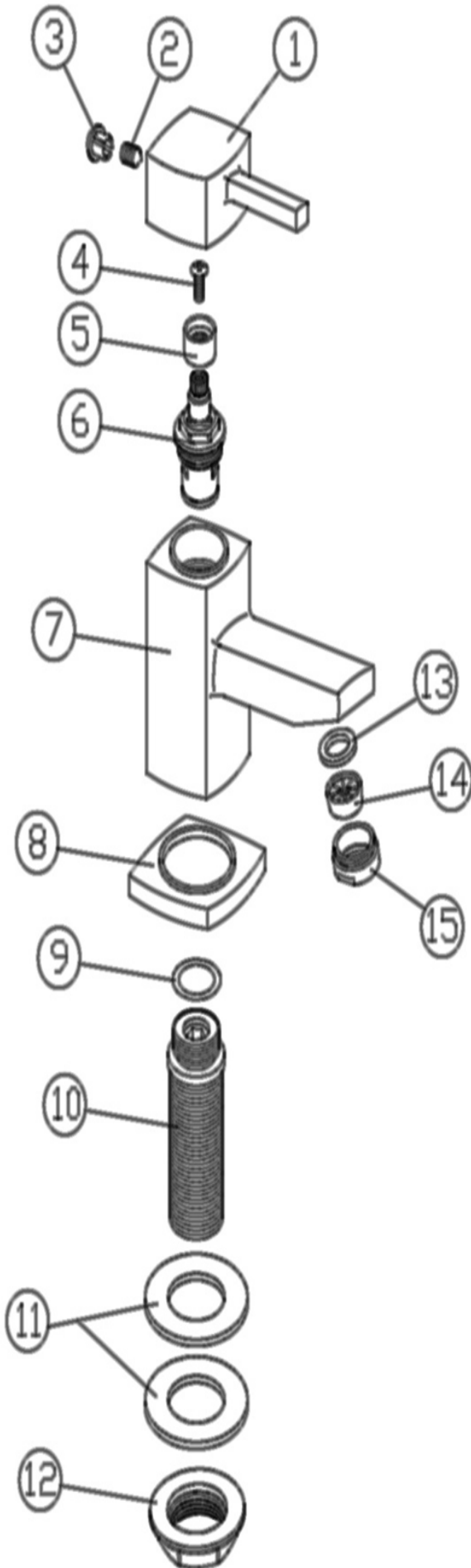
The information contained on this page was correct at the date of issue. Fitting dimensions are provided as a guide only. Some variation may occur due to manufacturing tolerances. We pursue a policy of continuing improvement in design and performance of our products and so reserve the right to change specifications without prior notice

FOR FURTHER ADVICE PLEASE CONTACT :-

SAGITTARIUS LTD UNIT 1 LOWER VICTORIA STREET—CHADDERTON—OLDHAM—OL9 9TU TEL:0616 6202029

EMAIL:TECHNICAL@SAGITTARIUSTAPS.CO.UK

Basin Taps



NO.	DESCRIPTION	QTY
1	HANDLE	2
2	M5*6 SCREW	2
3	HANDLE COVER	2
4	M4*9 SCREW	2
5	PLASTIC CORE	2
6	G1/2" CARTRIDGE	2
7	TAP BODY	2
8	BASE PLATE	2
9	"O" RING	2
10	G1/2" INLET	2
11	G1/2" WASHER	4
12	BACK NUT	2
13	19*12.5*2 WASHER	2
14	AERATOR	2
15	NOZZLE	2

FOR FURTHER ADVICE PLEASE CONTACT :-

SAGITTARIUS LTD UNIT 1 LOWER VICTORIA STREET—CHADDERTON—OLDHAM—OL9 9TU TEL:0616 6202029

EMAIL:TECHNICAL@SAGITTARIUSTAPS.CO.UK