

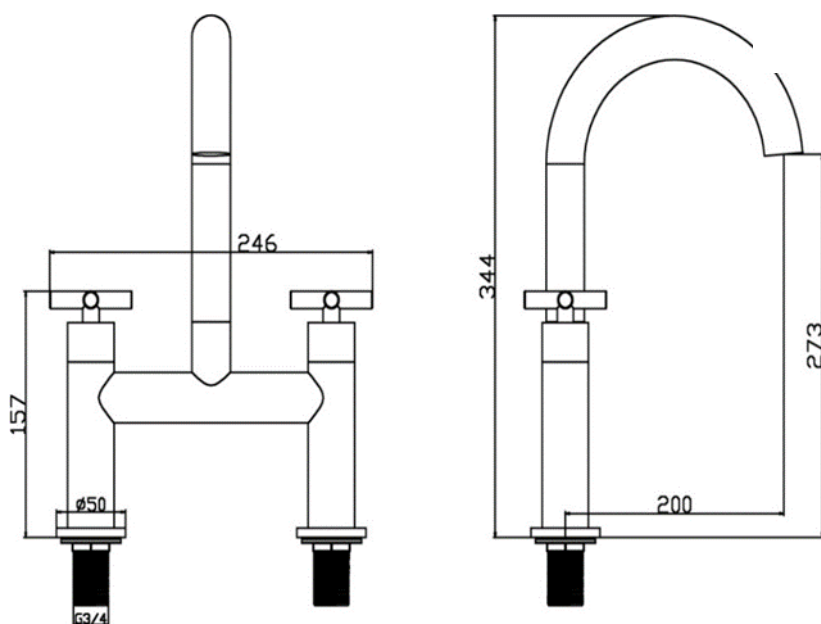
SAGITTARIUS

TAPS & SHOWERING

Construction	Brass Body, Zinc-alloy Handles
Finishes	Chrome
Product Type	Contemporary
Water Pressure	Min. 0.2 bar, Max. 6.0 bar
Tested Between	
Standards	Complies with BS5412, BS EN200
Cartridge	1/4 Turn 3/4" Ceramic disc valves
Fitting	Brass G $\frac{3}{4}$ " BSP tails (Hot and Cold)
Aerator	Neoperl spout aerator
Guarantee	10 years against manufacturing faults (excluding serviceable parts)
Operating Water Pressure	

AVANT BATH FILLER

AV/404



The information contained on this page was correct at the date of issue.

Fitting dimensions are provided as a guide only. Some variation may occur due to manufacturing tolerances. We pursue a policy of continuing improvement in design and perfor-

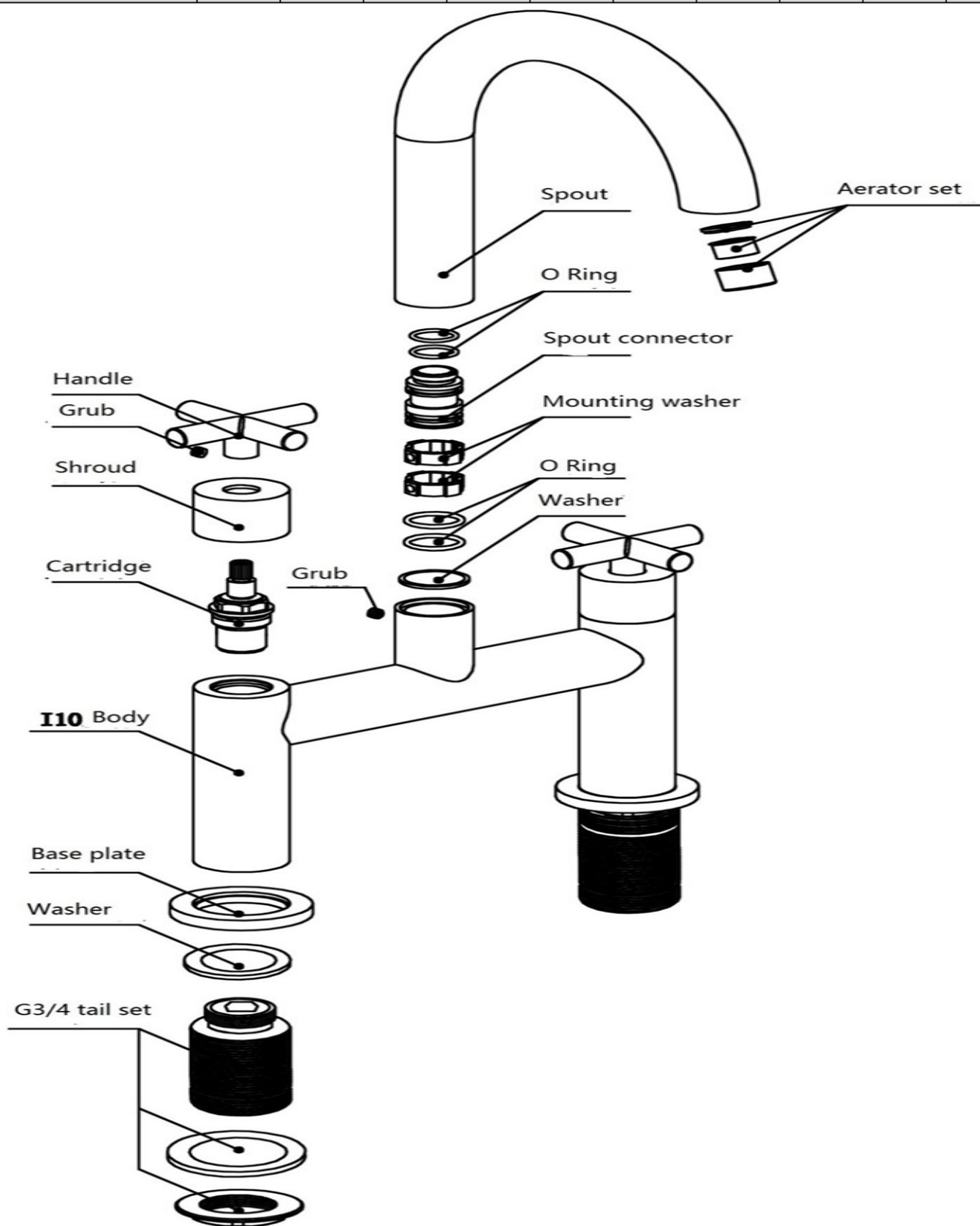
FOR FURTHER ADVICE PLEASE CONTACT :-

SAGITTARIUS LTD UNIT 1 LOWER VICTORIA STREET—CHADERTON—OLDHAM—OL9 9TU TEL:0616 6202029

EMAIL:TECHNICAL@SAGITTARIUSTAPS.CO.UK

Flow Rates (Litres per minute)

System Pressure	0.1 Bar	0.2 Bar	0.3 Bar	0.5 Bar	1.0 Bar	1.5 Bar	2.0 Bar	3.0 Bar	4.0 Bar	5.0 Bar
	3.0	5.5	-	10.0	15.0	18.5	22.3	27.5	-	-



FOR FURTHER ADVICE PLEASE CONTACT :-

SAGITTARIUS LTD UNIT 1 LOWER VICTORIA STREET—CHADDERTON—OLDHAM—OL9 9TU TEL:0616 6202029

EMAIL:TECHNICAL@SAGITTARIUSTAPS.CO.UK