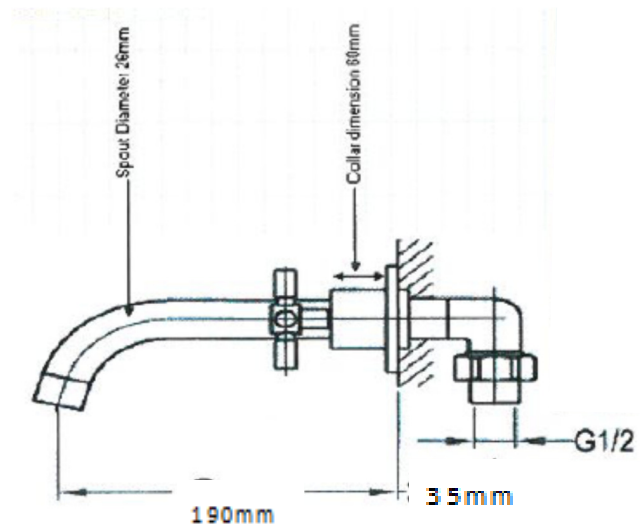
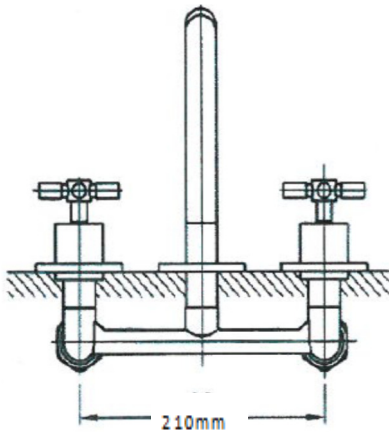


SAGITTARIUS

TAPS & SHOWERING

AVANT 3 HOLE WALL MOUNTED BATH FILLER AV/117/C

Core material : Brass bar (CuZn38Pb2), forged brass (CuZn38Pb2) & brass tube (CuZn37)
 Design standard : BS EN 200 Sanitary tapware - General technical specification
 Handle : Zinc alloy
 Finishing : Chrome plated to BS EN 248 (nickel plating 8-10 um & chromium plating 0.2-0.25um)
 Cartridge: 1/4 turn 1/2" ceramic disc valve
 Fitting : 15mm BSP
 Connecting hoses: -
 Aerator : Air Aerator
 Approval : CE
 Packaging : PE laminated foam + packaging



Flow rate

water pressure	0.1 Bar	0.2 Bar	0.5 Bar	1.0 Bar	1.5 Bar	2.0 Bar	Recommended Pressure
flow rate	9.4	13.0	15.6	20.5	29.2	40.8	49.9

The information contained on this page was correct at the date of issue. Fitting dimensions are provided as a guide only. Some variation may occur due to manufacturing tolerances. We pursue a policy of continuing improvement in design and performance of our products and so reserve the right to change specifications without prior notice

FOR FURTHER ADVICE PLEASE CONTACT :-
 SAGITTARIUS LTD UNIT 1 LOWER VICTORIA STREET—CHADDERTON—OLDHAM—OL9 9TU TEL:0616 6202029
 EMAIL:TECHNICAL@SAGITTARIUSTAPS.CO.UK