

SAGITTARIUS

TAPS & SHOWERING

Construction Brass Body, Zinc-alloy Handles
Finishes Chrome plated to BS EN 248
Product Type Contemporary
Water Pressure Min. 0.2 bar, Max. 6.0 bar

Standards Complies with BS5412, BS EN200
Cartridge 1/4 Turn 3/4" Ceramic disc valves
Aerator Spout aerator
Guarantee 10 years against manufacturing faults (excluding serviceable parts which have a Three year warranty)

Additional Information
1. Shower handset & holder : Chrome , ABS
2. Shower hose : Chrome , stainless steel , 1.5m

Operating Water Pressure



LOW PRESSURE
0.2-0.5 bar

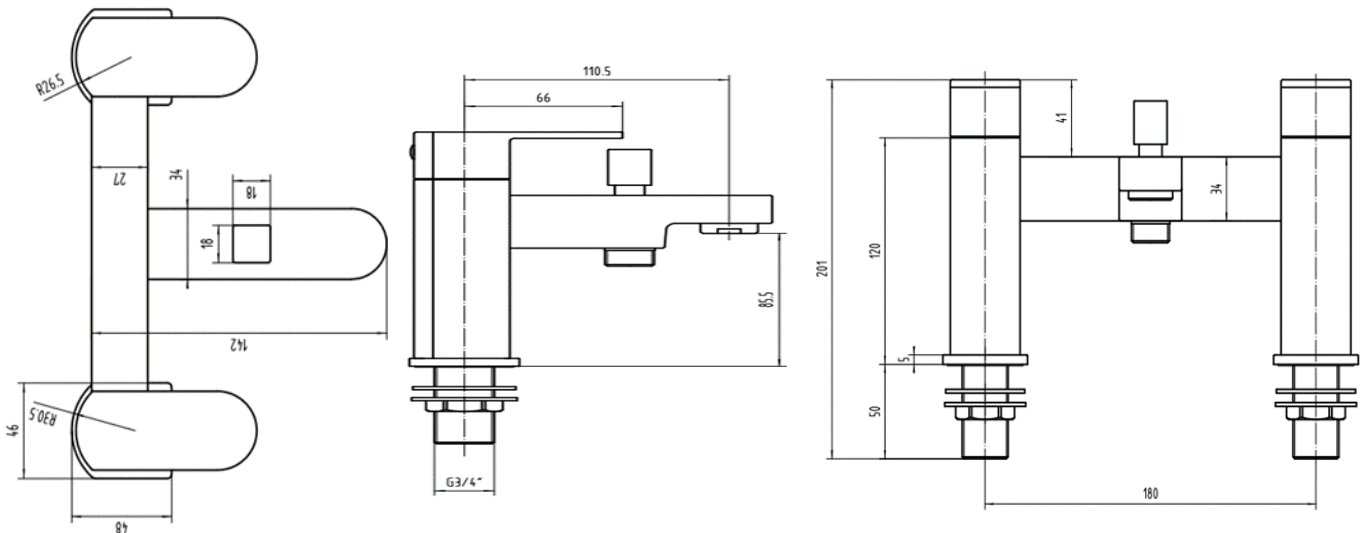


COMBI BOILER



HIGH PRESSURE
1.2-1.5+ bar

ANCONA BATH SHOWER MIXER AN/105



The information contained on this page was correct at the date of issue. Fitting dimensions are provided as a guide only. Some variation may occur due to manufacturing tolerances. We pursue a policy of continuing improvement in design and performance of our products and so reserve the right to change specifications without prior notice

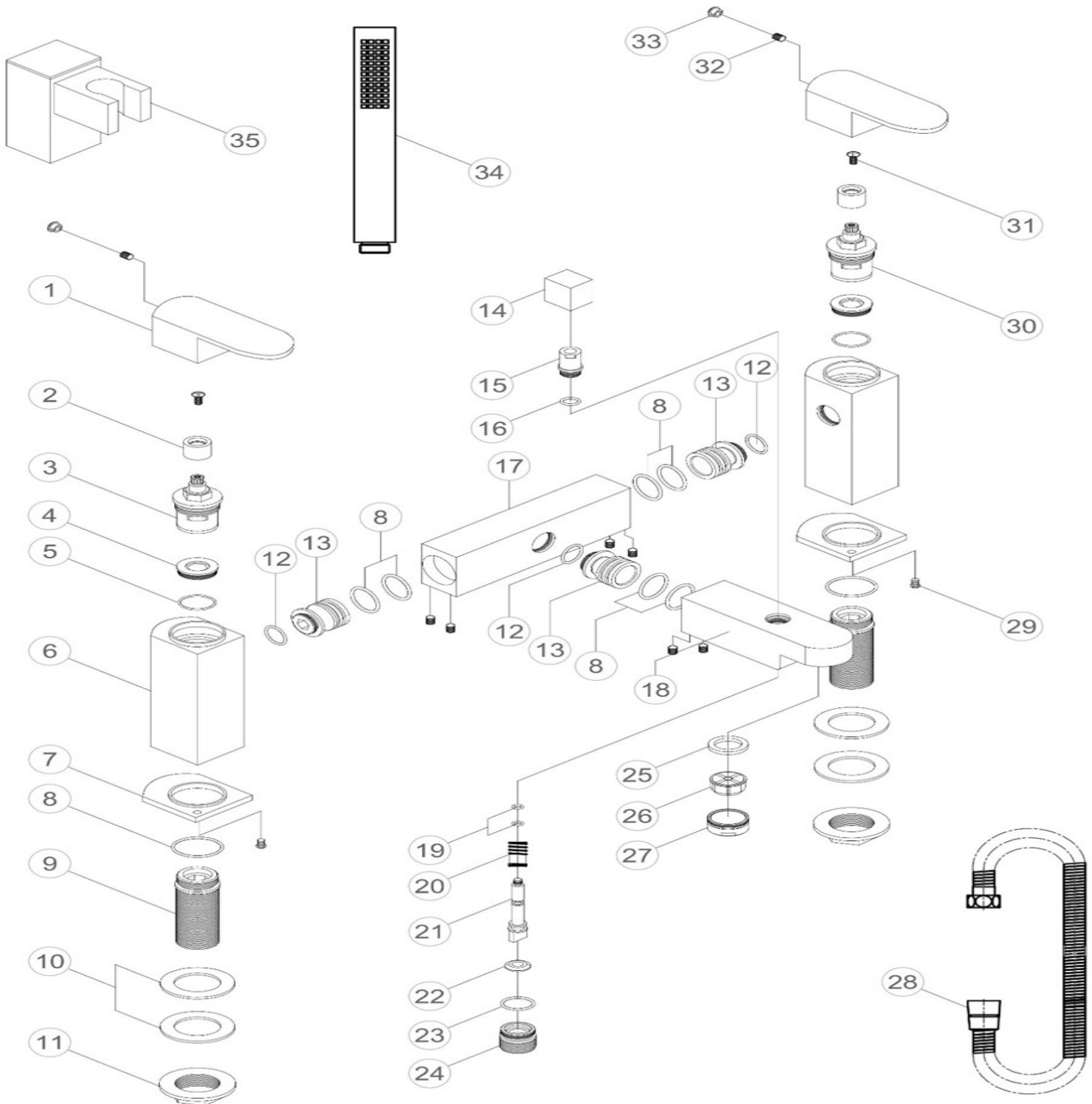
FOR FURTHER ADVICE PLEASE CONTACT :-

SAGITTARIUS LTD UNIT 1 LOWER VICTORIA STREET—CHADDERTON—OLDHAM—OL9 9TU TEL:0616 6202029

EMAIL:TECHNICAL@SAGITTARIUSTAPS.CO.UK

Flow Rates (Litres per minute)

System Pressure	0.1 Bar	0.2 Bar	0.3 Bar	0.5 Bar	1.0 Bar	1.5 Bar	2.0 Bar	3.0 Bar	4.0 Bar	5.0 Bar
	-	10.9	-	17.2	25.7	-	32.5	35.0	-	-



12	O-RING	3	24	FITTING NUT	1			
11	BACKNUT	2	23	O-RING	1	35	HANDSET HOLDER	1
10	WASHER	4	22	RUBBER WASHER	1	34	HANDSET	1
9	INLET TAILS	2	21	DIVERTER STEM	1	33	COVER CAP	2
8	O-RING	8	20	SPRING	1	32	GRUB	8
7	BASE PLATE	2	19	O-RING	2	31	SCREW	2
6	LEG	2	18	SPOUT	1	30	COLD CARTRIDGE	1
5	O-RING	2	17	BODY	1	29	GRUB	2
4	WASHER	2	16	O-RING	1	28	HOSE	1
3	HOT CARTRIDGE	1	15	DIVERTER	1	27	NOZZLE	1
2	PVC CORE	2	14	DIVERTER CAP	1	26	AERATOR	1
1	HANDLE	2	13	CONNECTOR	3	25	WASHER	1
No.	DESCRIPTION	QTY	No.	DESCRIPTION	QTY	No.	DESCRIPTION	QTY

FOR FURTHER ADVICE PLEASE CONTACT :-

SAGITTARIUS LTD UNIT 1 LOWER VICTORIA STREET—CHADDERTON—OLDHAM—OL9 9TU TEL:0616 6202029

EMAIL:TECHNICAL@SAGITTARIUSTAPS.CO.UK