

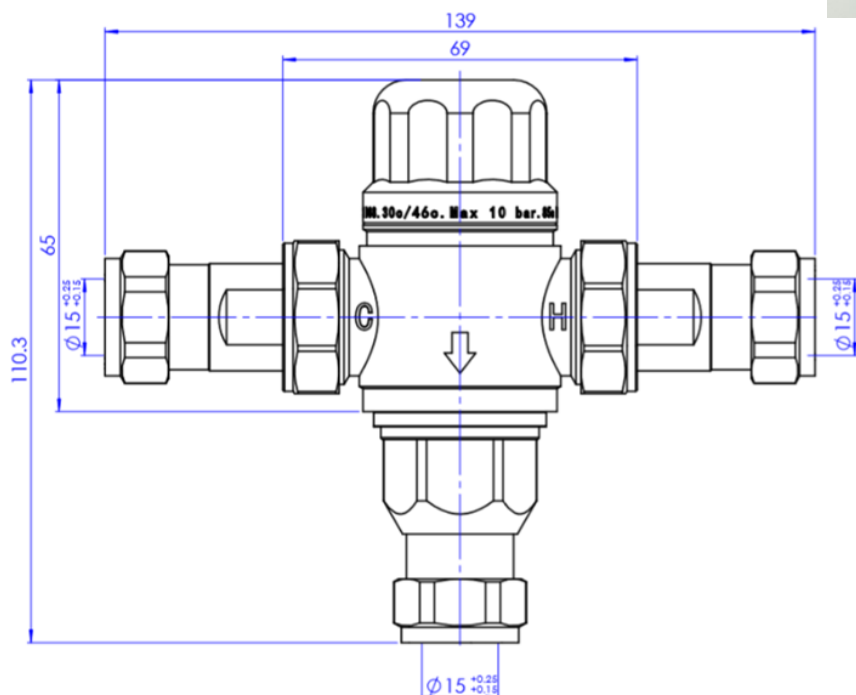
SAGITTARIUS

TAPS & SHOWERING

Construction	Brass
Finishes	Chrome
Product Type	Contemporary
Water Pressure tested Between	Min. 0.2 bar, Max. 5.0 bar
Standards Certification	BS EN 1111, BS EN 1287 WRAS (2003082), TMV2 (NSF2333/0720) & TMV3 (NSF2231/0919) approved & certified
Thermostat Temperature range	Vernet Thermostatic Wax Element 30 - 50°C, Accuracy $\pm 2^{\circ}\text{C}$, Maximum inlet temperature 65°C
Size	DN15
Fitting	Inlet: 15mm compression connection Outlet: 15mm compression connection
Guarantee	10 years against manufacturing faults (excluding serviceable parts)

15MM THERMOSTATIC BLENDING VALVE

AC/771



The information contained on this page was correct at the date of issue. Fitting dimensions are provided as a guide only. Some variation may occur due to manufacturing tolerances. We pursue a policy of continuing improvement in design and performance of our products and so reserve the right to change specifications without prior notice.

FOR FURTHER ADVICE PLEASE CONTACT :-

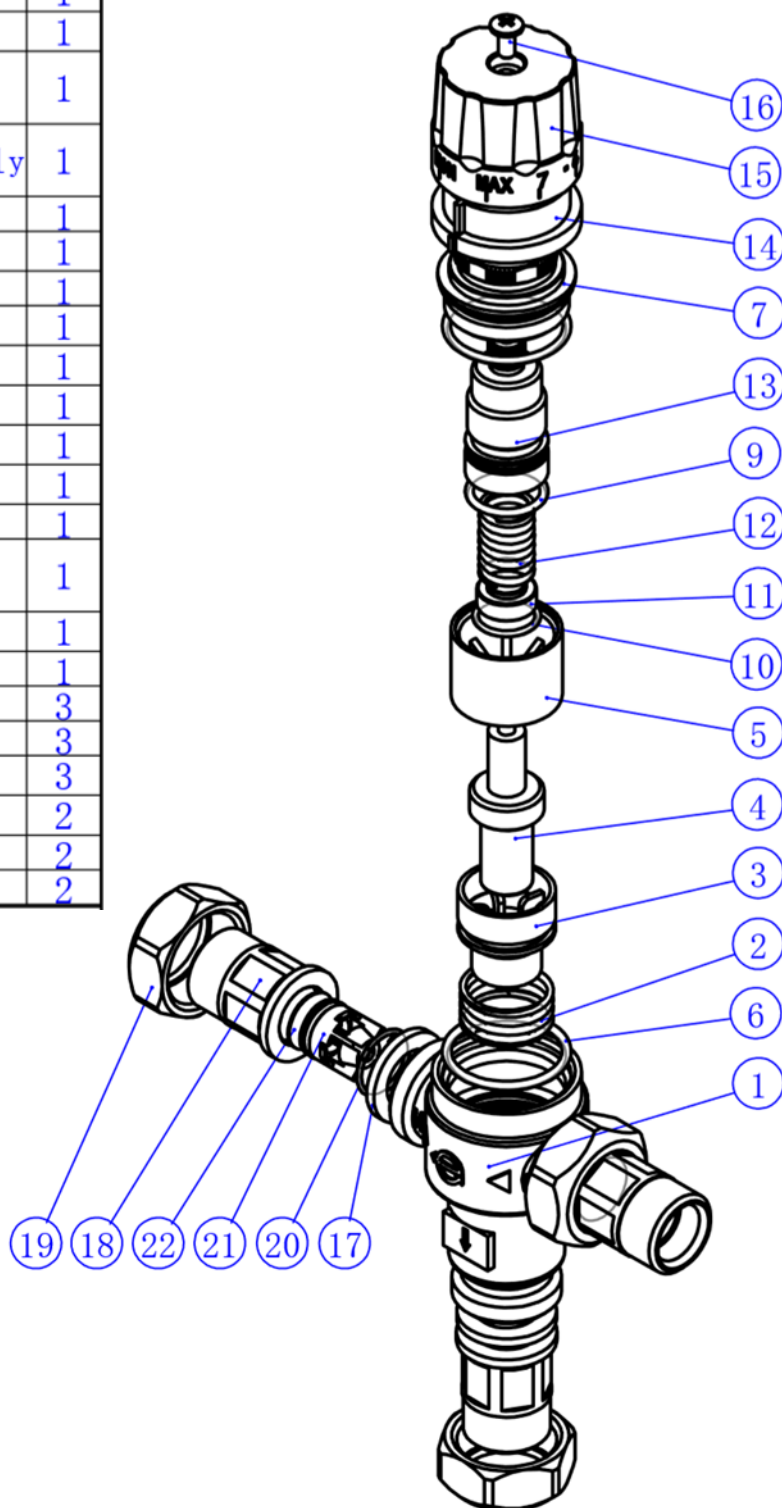
SAGITTARIUS LTD UNIT 1 LOWER VICTORIA STREET—CHADDERTON—OLDHAM—OL9 9TU TEL:0616 6202029

EMAIL:TECHNICAL@SAGITTARIUSTAPS.CO.UK

Flow Rates (Litres per minute)

System Pressure	0.1 Bar	0.2 Bar	0.3 Bar	0.5 Bar	1.0 Bar	1.5 Bar	2.0 Bar	3.0 Bar	4.0 Bar	5.0 Bar
	-	-	8.2	10.8	16.5	-	21.0	26.5	-	-

Index	Part Name	Material	QTY
1	Valve Body	Brass	1
2	Spring	SUS304	1
3	Plastic Spring Gasket	PSU	1
4	0304 Thermostat	Subassembly	1
5	Plastic Piston	PSU	1
6	O Ring	EPDM	1
7	Bonnet	Brass	1
8	O Ring	EPDM	1
9	O Ring	EPDM	1
10	Circlip	SUS304	1
11	Spring Gasket	Brass	1
12	Spring	SUS304	1
13	Stem	Brass	1
14	Upper Cover Sleeve	ABS	1
15	Cap	ABS	1
16	Screw	SUS304	1
17	Rubber Gasket	EPDM	3
18	Union Bonnet	Brass	3
19	Live Cap	Brass	3
20	Circlip	SUS304	2
21	Check Valve	Acetal	2
22	Strainer	SUS304	2



FOR FURTHER ADVICE PLEASE CONTACT :-

SAGITTARIUS LTD UNIT 1 LOWER VICTORIA STREET—CHADDERTON—OLDHAM—OL9 9TU TEL:0616 6202029

EMAIL:TECHNICAL@SAGITTARIUSTAPS.CO.UK